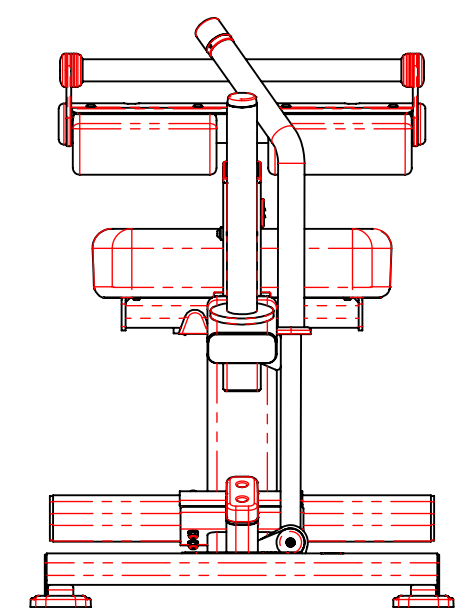
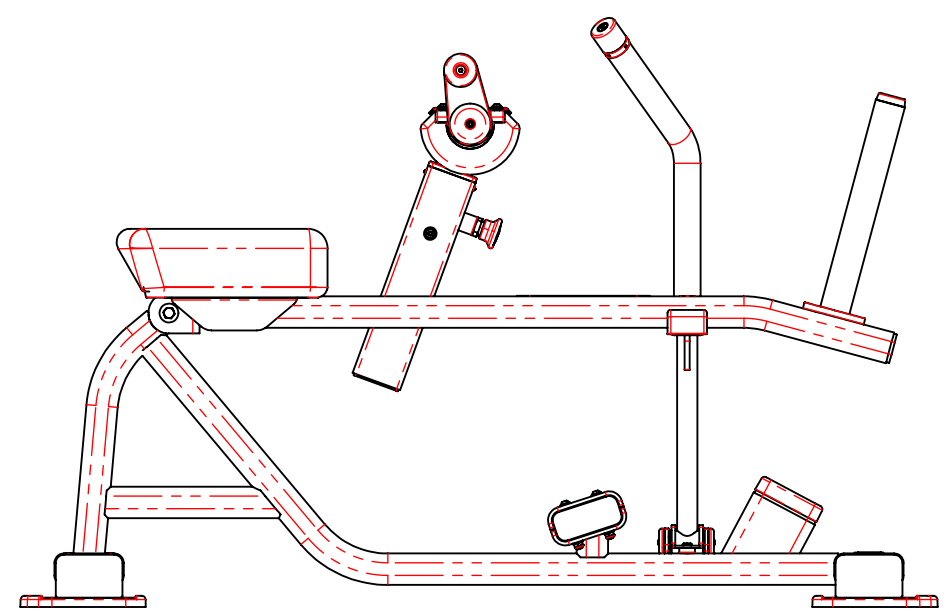
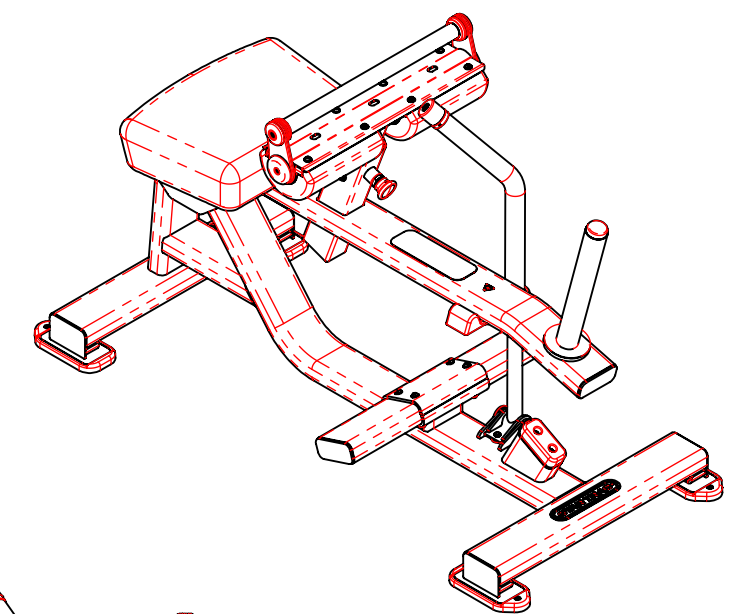
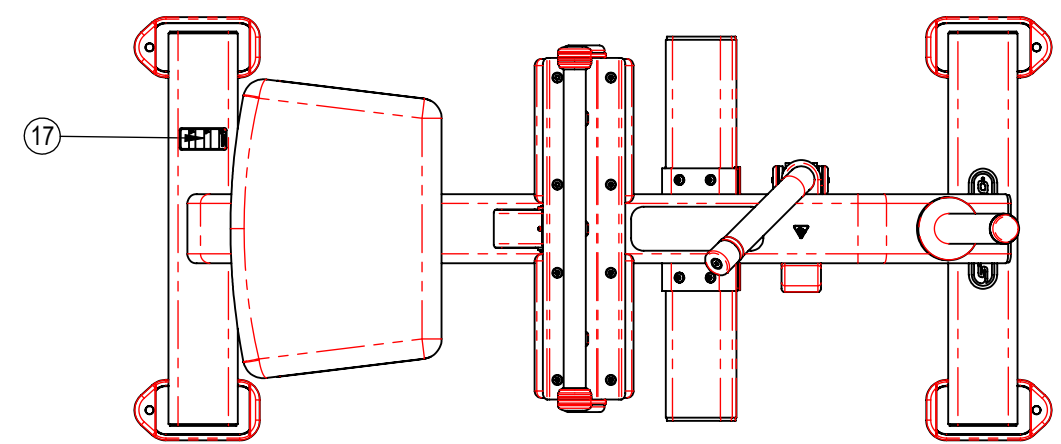


NOTES:

1. ASSEMBLE AND INSPECT PER SOP 620-7918.
2. COLOR DICTATED BY THE SALES ORDER. REFERENCE THE MACHINES BOM FOR COMPONENTS CONTAINING -XX, -00XX AND -XXXXX.
 - a. COLOR: -XX COLOR DESIGNATOR AS SPECIFIED IN SOP 620-8222.
 - b. THE -XX CAN RESULT IN ONE COLOR FOR THE METAL SHROUD AND A DIFFERENT COLOR FOR THE METAL FRAME ALSO WITH A -XX LISTED ON THE BOM.
 - c. THE -00XX IS THE COLOR DESIGNATOR FOR UPHOLSTERY.
 - d. THE 5TH DESIGNATOR: "X" WITHIN -XXXXX DEFINES THE HEAD STRAP OR CUSTOM PRODUCTS BRAND. THIS IS SPECIFIED ON SALES ORDERS.
 - e. THE -XXXXX IS CREATED BY COMBINING THE -XX, -00XX AND THE 5TH DESIGNATOR. ALL X'S SHOULD BE DEFINED THE SALES ORDER.

REVISION HISTORY				
REV	DATE	DESCRIPTION	ECO	BY
A	7/26/2013	RELEASED @ LA	14289	LA
B	10/2/2013	REPLACE PN:731-4195-XX WITH 731-6031-XX, REMOVE PART 731-0209, 731-0225, 731-1374, 731-4161, 731-0309, 731-0355	14409	RLH



**DOCUMENT STATUS:
Released**

NOTICE OF PROPRIETARY INFORMATION

THIS DOCUMENT SHALL NOT BE REPRODUCED NOR SHALL THE INFORMATION CONTAINED HEREIN BE USED BY OR DISCLOSED TO OTHER EXCEPT AS EXPRESSLY AUTHORIZED BY CORE INDUSTRIES, INC., D.B.A. STAR TRAC.

CLASS OF WORK	UNLESS OTHERWISE SPECIFIED DIMS ARE IN mm. TOLERANCES FOR MEASURE OF LENGTH ARE:							ANGLES = ±2°
	0.5 to 3	> 3 to 6	> 6 to 30	> 30 to 120	> 120 to 400	> 400 to 1000	> 1000 to 2000	
FINE	±0.05	±0.05	±0.1	±0.15	±0.2	±0.3	±0.5	----
MEDIUM X	±0.1	±0.1	±0.2	±0.3	±0.5	±0.8	±1.2	±2
COARSE	±0.2	±0.3	±0.5	±0.8	±1.2	±2	±3	±4
VERY COARSE	----	±0.5	±1	±1.5	±2.5	±4	±6	±8

MATERIAL SEE BOM

FINISH N/A

VENDOR: N/A

P/N: N/A

THIRD ANGLE PROJECTION



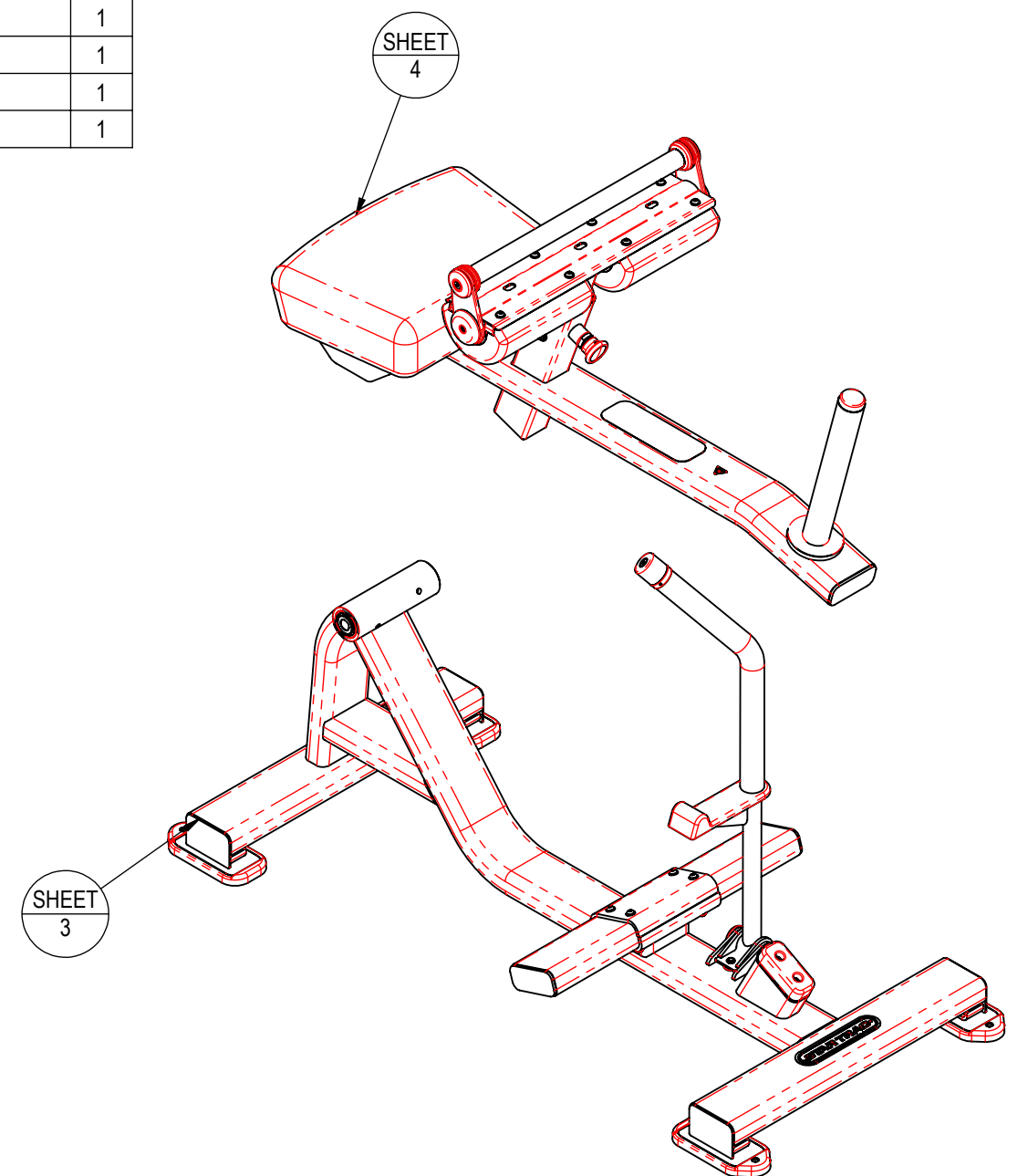
DRAWN	INITIAL RLH	DATE 7/26/13
CHECKED		
APPROVED		
	U.O.M.	MM

CORE INDUSTRIES, INC. DBA
STAR TRAC
14410 Myford Road
Irvine CA 92606

STARTRAC PART NO	REV
IP-L1110-XXXXX	B
TITLE LEVERAGE, TILT SEAT CALF	
SCALE: 1:12	SHEET 1 OF 4 SHEET SIZE: B

9	8	7	6
ITEM NO.	PART NUMBER	DESCRIPTION	QTY.
J	1	730-0913 BUMPER,DIA 25MM	2
	2	731-0033 NUT, RIVET,M8 X 1.25	2
	3	731-0054 RING, BEAUTY, GRIP END	2
	4	731-0055 CAP, OUTSIDE, GRIP, Ø32MM	2
I	5	731-0137 BEARING,52 OD,25 ID,X 15MM	2
	6	731-0225 SCREW,M3.5 X 9.5,SELF TAPPING	4
	7	731-0235 SCREW,M8 X 1.25,75mm,BHC,HK	4
	8	731-0290 CAP, GRIP, CURL	2
	9	731-0355 WASHER,PLAIN,M8,NARROW	22
H	10	731-0359 SCREW,M8 X 1.25,25mm,BHC,HK	15
	11	731-0365 NUT,M8 X 1.25,NYLOC JAM	4
	12	731-0374 SCREW,M6 X 1.0,16mm,BHC,HK	2
	13	731-0390 SCREW,M8x1.25,25mm,SHC,HK,AS,GR12.9,NKL,FT	2
	14	731-0397 SCREW,M8x1.25,25mm,FHM,HK,AS,GR12.9,NKL,FT	3
G	15	731-0512 STICKER,WARNING,PINCH	2
	16	731-0513 STICKER,STAR TRAC,DECO,45MMX191MM	1
	17	731-0517 STICKER,WARNING,BOLT DOWN	1
	18	731-0587 NUT, M4X0.7, LOCKING	2
F	19	731-0637 RING,BEAUTY,ADJ,PAD	1
	20	731-0638 SUPPORT,TUBE,ADJ,CHEST	1
	21	731-0705 HAT, SPACER, 25 OD X 20 ID	2
	22	731-1020 PLASTIC, SEAT BOTTOM , LEG MACHINE	1
E	23	731-1226-00XX ASSY, SEAT BOTTOM, SLP	1
	24	731-1265 CAP,END,65MM,NO GROOVE	2
	25	731-1357 CAP, BEARING 1 3/4 RND	2
	26	731-1458-XX BRACKET,BOTTOM,FOOT,WT STORAGE	1
	27	731-1785 SCREW,SET,M4X.7,4MM	2
D	28	731-2079 SCREW,M4x0.7,8mm,SHC,HK,AS,NKL,Grd-12.9	2
	29	731-2080 BUMPER,ADJ,HYPER	1
	30	731-2333 SCREW,M10X1.5,25MM,HHC,HE,CS,BZ	2
	31	731-2346 WASHER,M10,FENDER,BZ	2
	32	731-2647 FOOT,LONG,LEVERAGE	4
C	33	731-2762 RUBBER BUMPER	1
	34	731-3466 ASSY,LEV, BIG PIN	1
	35	731-3775 END CAP,32MM	1
	36	731-3776 TRIM RING,GRIP,32MM	1
	37	731-4200-XX WELDMENT,THIGH PAD SLIDER,TSC	1
B	38	731-4201 WELDMENT,GRIP.TSC	1
	39	731-4204 WELDMENT,FOOT PAD,TSC	1
	40	731-4212-XX WELDMENT,MAIN FRAME,TSC	1
	41	731-4213-00XX ASSY,UPHOLSTERY, THIGH, LEG CURL	2
	42	731-4221 RUBBER,STOP,TSC	1
	43	731-4222 TPE,WEIGHT LOCK, WEAR PAD	1
A	44	731-4223-XX WELDMENT,WEIGHT LOCK,TSC	1

6	5	4	3
ITEM NO.	PART NUMBER	DESCRIPTION	QTY.
45	731-4224	BUSHING,26MM ID	2
46	731-4225	SHAFT,PIVOT,TSC	1
47	731-4227	BAR,SHAFT,MAIN,TSC	1
48	731-6032	RUBBER,WASHER,TSC	1
49	731-4229	RUBBER,GRIP,TSC	1
50	731-4877	PLACARD,LEV,TILT SEAT CALF	1
51	731-4888	STICKER, NUMBER,ROM,L1110	1
52	731-5272	CAP,PLUG,WEIGHT HORN,BLANK	1
53	731-6031-XX	WELDMENT,WEIGHT ARM,TSC	1

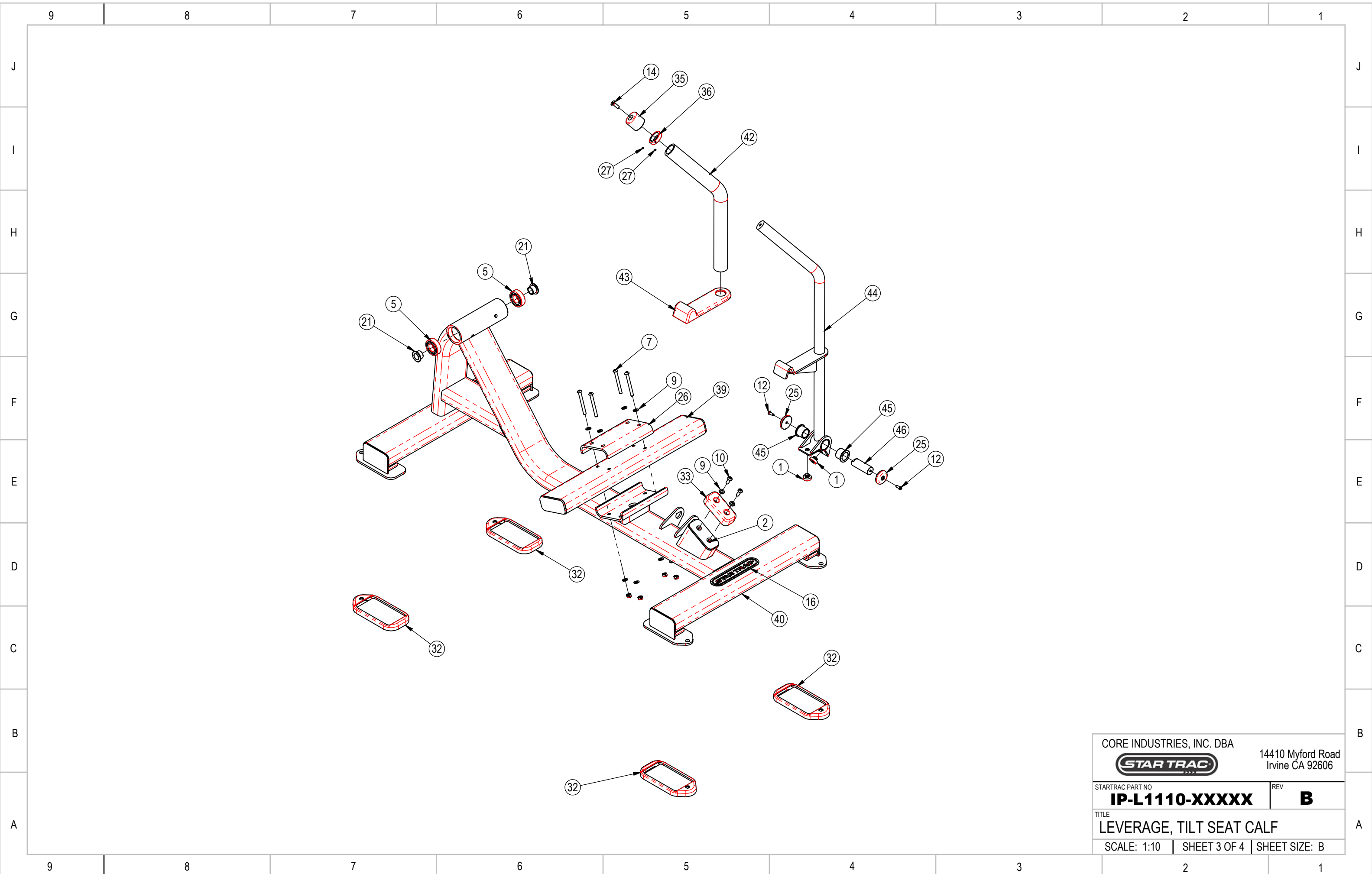


CORE INDUSTRIES, INC. DBA
STAR TRAC
 14410 Myford Road
 Irvine CA 92606

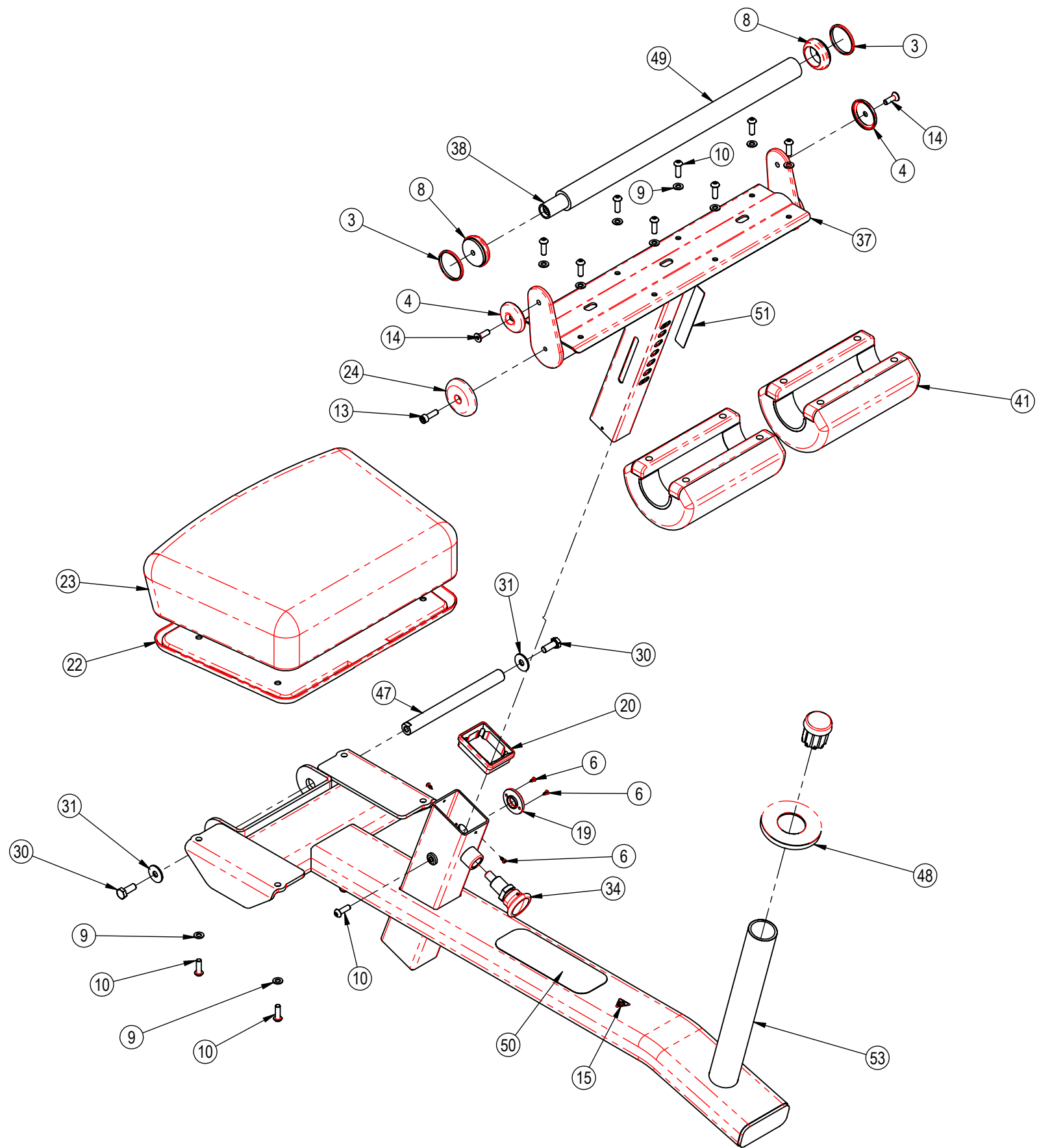
STARTRAC PART NO
IP-L1110-XXXXX
 TITLE
LEVERAGE, TILT SEAT CALF

REV
B

SCALE: 1:12 | SHEET 2 OF 4 | SHEET SIZE: B



CORE INDUSTRIES, INC. DBA		14410 Myford Road Irvine CA 92606	
STAR TRAC			
STARTRAC PART NO	IP-L1110-XXXXX		REV B
TITLE LEVERAGE, TILT SEAT CALF			
SCALE: 1:10	SHEET 3 OF 4	SHEET SIZE: B	



CORE INDUSTRIES, INC. DBA		14410 Myford Road Irvine CA 92606	
STAR TRAC			
STARTRAC PART NO	IP-L1110-XXXXX		REV B
TITLE LEVERAGE, TILT SEAT CALF			
SCALE: 1:8	SHEET 4 OF 4	SHEET SIZE: B	